



# STARTER™ 2200

pH Benchtop Meter



## *Affordable Benchtop pH Meter for Basic Laboratory Applications*

Designed with a clear, user-friendly interface and the ability to store up to 99 items in its internal memory, the Starter™ 2200 pH benchtop meter is a reliable and efficient addition to basic laboratories or science classrooms. An affordable and intuitive pH measurement instrument, the Starter™ 2200 pH benchtop meter also features auto-buffer recognition & auto-endpoint modes that make measurement and calibration simple, straightforward and efficient.

### *Unique Features:*

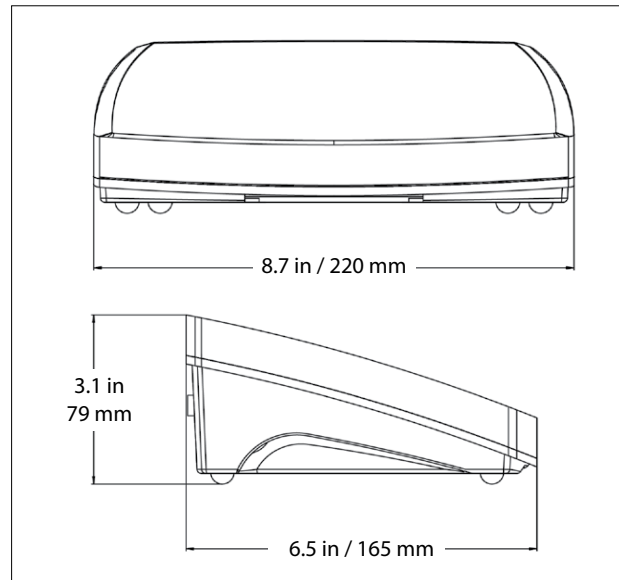
- A user-friendly bench meter which clearly displays critical information and the five distinctly marked keys allows users to operate the instrument with minimal training.
- Auto buffer recognition and auto-endpoint mode make calibration and measurement simple and ideal for routine pH measurement.
- The built-in electrode holder provides straightforward and convenient all-in-one operation, while the attached quick guide clearly explains the operating steps.

# STARTER™ 2200 pH Benchtop Meter

## Specifications

| Model                |                             | ST2200                                  |
|----------------------|-----------------------------|---|
| pH                   | Measuring Range             | 0.00 to 14.00 pH                        |
|                      | Resolution                  | 0.01 pH                                 |
|                      | Selectable Resolution       | No                                      |
|                      | Accuracy                    | ± 0.01 pH                               |
|                      | Pre-Defined Buffer Groups   | 1                                       |
| ORP, Redox           | Measuring Range             | ± 1999 mV                               |
|                      | Resolution                  | 1 mV                                    |
|                      | Accuracy                    | ± 1.5 mV                                |
|                      | Units                       | mV                                      |
| Temperature          | Measuring Range             | 0.0 to 100.0 °C,<br>32.0 °F to 212.0 °F |
|                      |                             | Resolution                              |
|                      | Accuracy                    | ± 0.5 °C, ±0.5 °F                       |
|                      | Calibration                 | No                                      |
| Calibration          | Calibration points          | 1 to 3 points                           |
|                      | Calibration Sign            | Face Sign                               |
|                      | Calibration mode            | Linear                                  |
| Meter Specifications | Display Type                | 3.5" segment LCD with backlight         |
|                      | Measurement End-point Modes | Auto-stop, Continuous                   |
|                      | Datalog for measurement     | 99 sets                                 |
|                      | Datalog for calibration     | Last calibration                        |
|                      | Keypad                      | Membrane                                |
|                      | pH electrode input          | BNC                                     |
|                      | Temperature input           | Cinch, NTC 30 kΩ                        |
|                      | Installation Overvoltage    | Category II                             |
|                      | Pollution                   | Degree 2                                |
|                      | Power Supply                | Universal, 90-260 VAC, 50-60 Hz         |
|                      | Ambient Operating           | 5 to 40 °C, 5 to 80 %, non-condensing   |
|                      | Warranty                    | 1 year                                  |

## Outline Dimensions



## Packages Available in two configurations

| a-ST2200-B   |
|--|
| - a-ST2200 Benchtop Meter<br>- Built-In Electrode Holder                         |
| a-ST2200-F   |
| - a-ST2200-B Content<br>- ST320 pH Electrode<br>- pH Buffer Mini Kits (4 × 50mL) |

## Other Features and Equipment

- **Application:** pH, oxidation-reduction potential (ORP) with Temperature Measurements
- **Display:** 3.5" segment LCD with backlight
- **Operation:** AC adapter (included)
- **Construction:** ABS housing, mechanical keys, Built-in electrode holder
- **Design Features:** Auto buffer recognition, three point calibration, electrode condition icon

## Compliance

- **Product Safety:** IEC/EN 61010-1
- **Electromagnetic Safety:** IEC/EN 61326-1 Class B, basic environments; FCC Part 15 Class A; Canada ICES-003 Class A
- **Compliance Marks:** CE, RCM
- **Others:** WEEE, RoHS

## Accessories

Stirrer Compact AS20 . . . . . 30661425

| Item #   | Solutions   |
|----------|---|
| 30100424 | Buffer pH 1.68 250 mL   |
| 30100425 | Buffer pH 4.01 250 mL   |
| 30100426 | Buffer pH 6.86 250 mL   |
| 30100427 | Buffer pH 7.00 250 mL   |
| 30100428 | Buffer pH 9.18 250 mL   |
| 30100429 | Buffer pH 10.01 250 mL  |
| 30100440 | Buffer pH 12.45 250 mL  |
| 30059255 | Reference Electrolyte (3M KCl Solution Saturated AgCl, 30 mL) |
| 30059256 | pH Electrode Protection Solution (3M KCl, 125 mL)             |

| Item #   | Electrodes         |
|----------|--------------------|
| 83033972 | ST320 pH Electrode |

80776669\_A 20210420 © Copyright OHAUS Corporation

**OHAUS CORPORATION**  
 7 Campus Drive  
 Suite 310  
 Parsippany, NJ 07054 USA  
 Tel: 800.672.7722  
 973.377.9000  
 Fax: 973.944.7177  
[www.ohaus.com](http://www.ohaus.com)  
*The management system governing the manufacture of this product is ISO 9001:2015 certified.*

